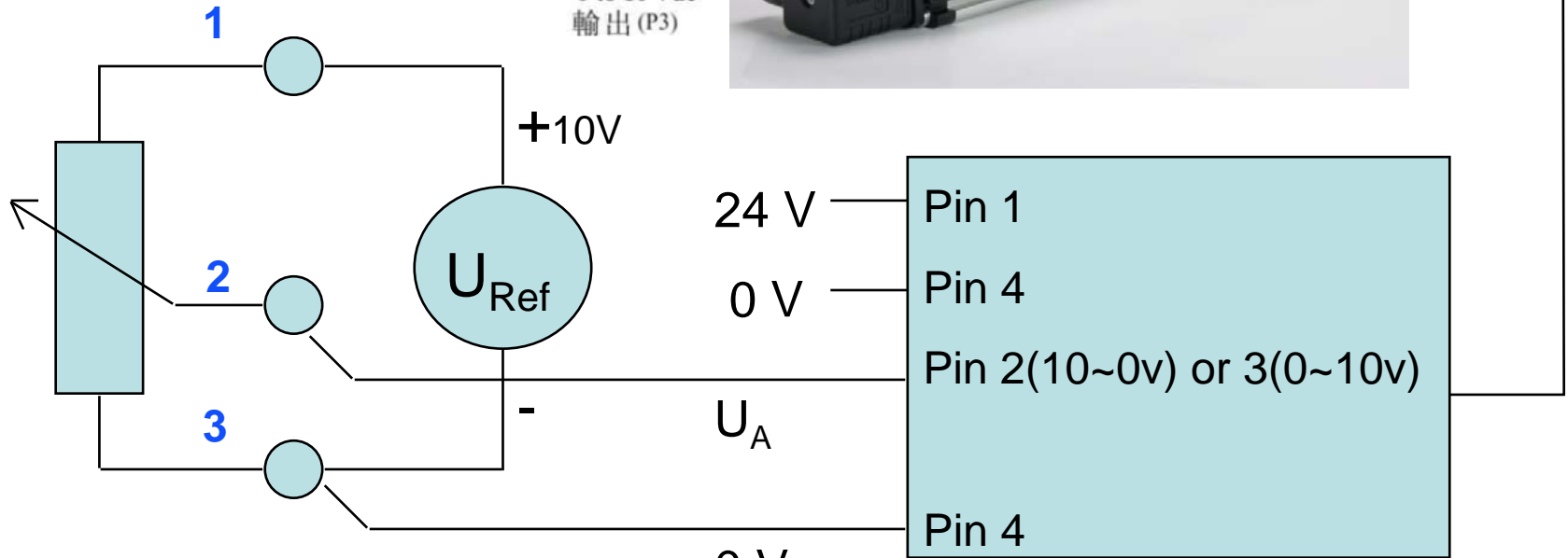
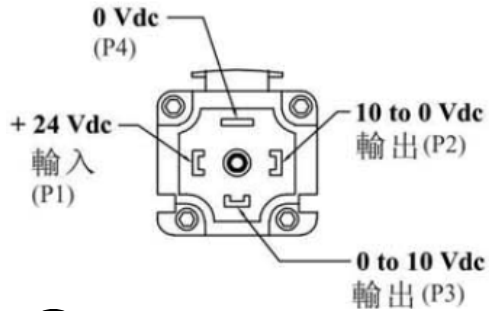


# Replacing Potentiometers with 1800

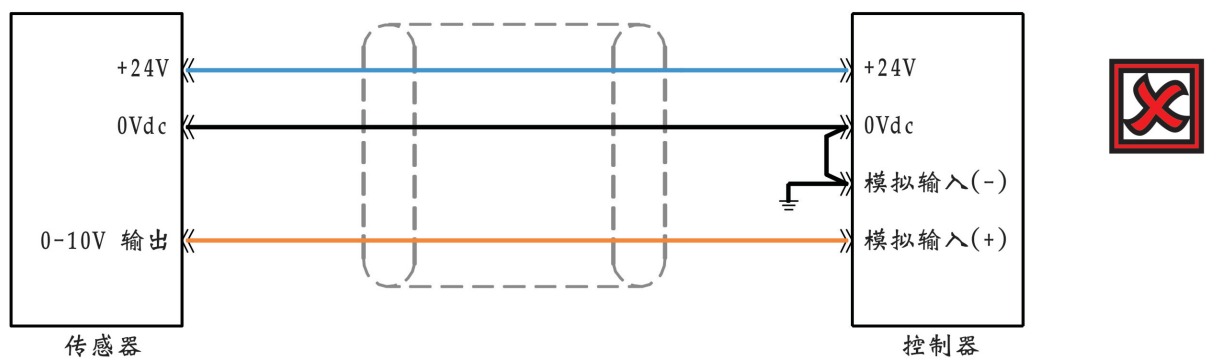
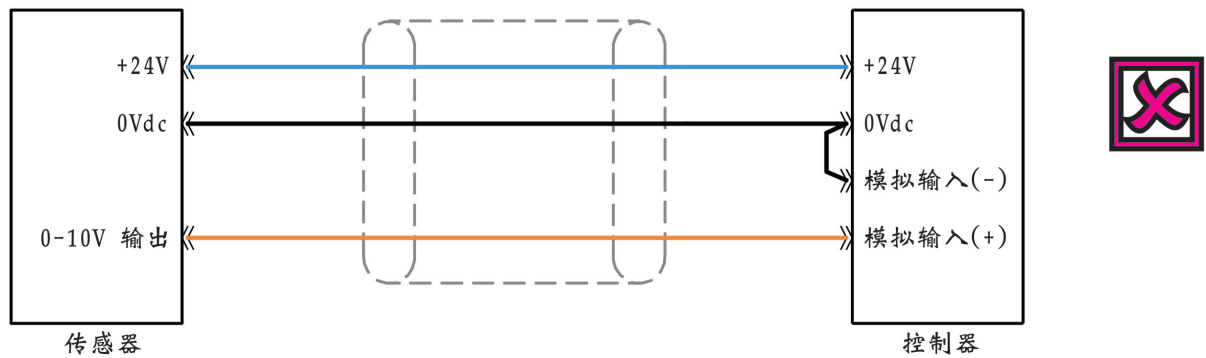
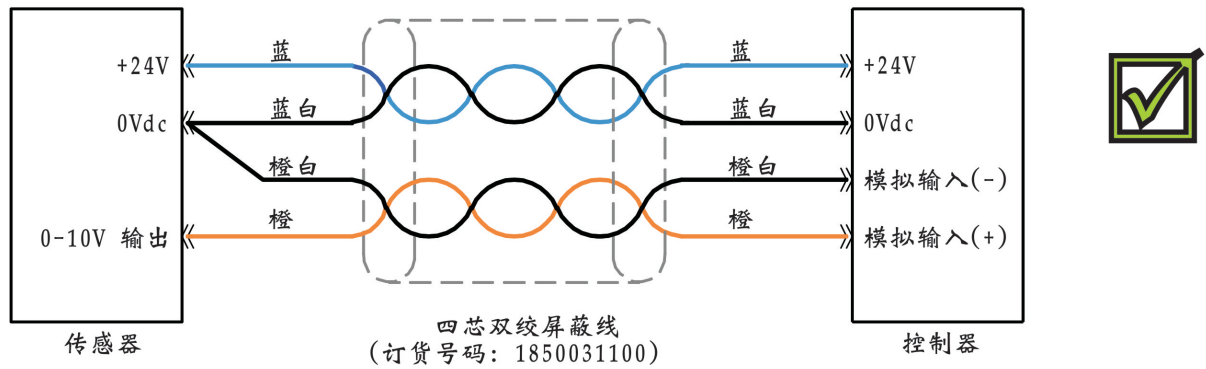
## 電阻尺配線改成1800懸浮尺



電阻尺Potentiometer(old)

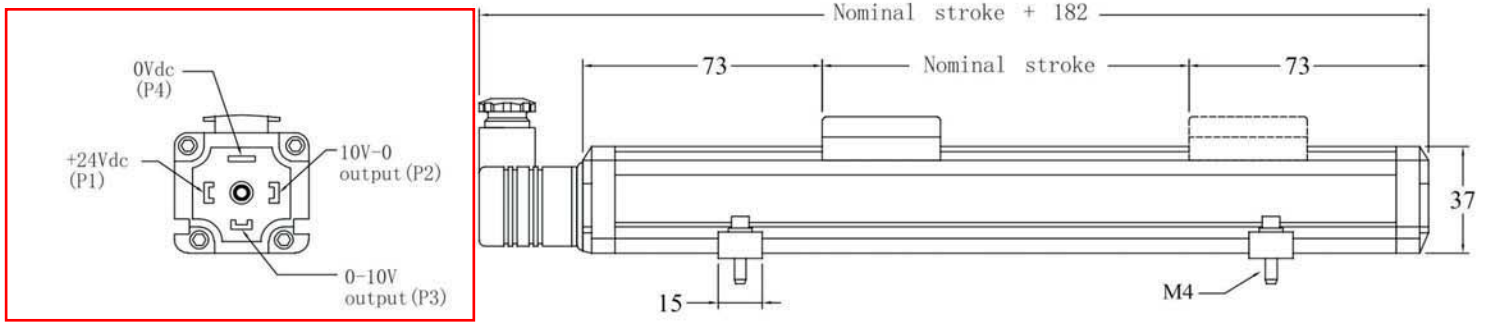
1800 懸浮尺(German Jet- 德敏哲)

# 接线说明

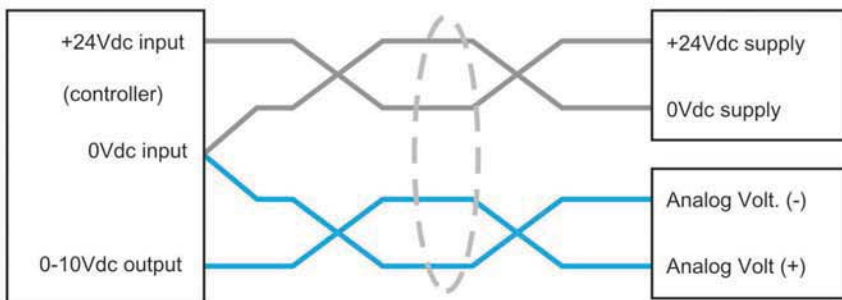


## 注意事项:

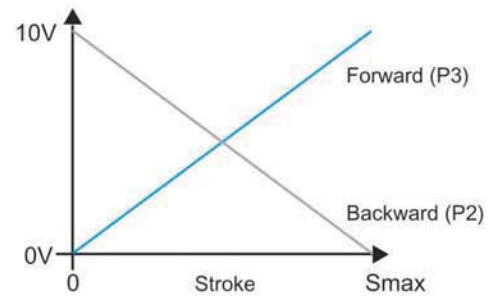
1. 请勿把控制器的模拟输入负极(-)直接接上机器内之0V或地线上,只可单一接上传感器的0V(橙白)线上。
2. 必须使用四芯双绞屏蔽线,最小尺寸为 $0.2\text{mm}^2$ 。
3. 切勿把+24Vdc接至传感器0V及同时把0V接至讯号输出点,否则传感器会立即被烧毁。  
(注意: 如发生上述情况并不包括在保修条款之内)



(View toward sensor pins)



(connection example)



Order Code

1 8 0 X X X X X X X X

Output  
0-10Vdc, 10-0Vdc Dual-output

Connector  
0 = 4 pins connector ( IP65)  
3 = 4 pins connector ( IP67)

Mounting (P.13)  
1 = 42.5mm mounting  
2 = 42.5mm isolation mounting  
3 = 50mm mounting

Magnet Type (P.13)  
1 = Captive  
2 = Floating  
3 = Die-cast  
4 = Large floating

Stroke Length  
0 1 0 0 , 0 1 3 0 , 0 1 5 0 , 0 1 7 5 , 0 2 0 0 , 0 2 2 5 , 0 2 7 5  
0 3 0 0 , 0 3 6 0 , 0 4 0 0 , 0 4 2 5 , 0 4 5 0 , 0 5 0 0 , 0 5 2 5  
0 5 5 0 , 0 6 0 0 , 0 6 5 0 , 0 7 0 0 , 0 7 5 0 , 0 8 0 0 , 0 8 7 5  
0 9 0 0 , 0 9 5 0 , 1 0 0 0 , 1 1 0 0 , 1 2 5 0 , 1 3 5 0 , 1 5 0 0  
1 6 0 0 , 1 7 5 0 , 2 0 0 0 , 2 2 5 0 , 2 5 0 0 , 2 7 5 0 , 3 0 0 0  
3 2 5 0 , 3 5 0 0 , 4 0 0 0 (other length upon request)

Caution :

Please do not connect controller analog input (-) to machine 0V or ground. Only connect directly to transducer 0V (P4).

Use 4 wires shielded twisted pair cable, dia. 0.2mm.

Do not connect power supply +24Vdc to transducer 0Vdc, and at the same time connect power supply 0Vdc to transducer output. This will cause transducer permanent failure.

(Warning: warranty does not include such source of failure)

- Included :
- Transducer
  - Connector
  - Mounting
  - Magnet



Belden Wire & Cable Company

PRODUCT CODE  
8102

961 784

TECHNICAL  
DATA SHEET

07-31-97 REV. 8

8102

I. DESCRIPTION:

24 AWG (7X32) TINNED COPPER, 24 AWG (7X32) TCDW, 2 PAIR,  
CELLULAR POLYOLEFIN INSULATION WITH OVERALL POLYESTER/ALUM.  
TAPE/TINNED COPPER BRAID SHIELD, PVC JACKET.

II. ELECTRICAL CHARACTERISTICS:

MAX. OPERATING VOLTAGE:	300 VRMS (TYPE CM) 30 VRMS (AWM 2919)
MAX. CONTINUOUS CURRENT PER CONDUCTOR @ 25 DEG. C:	1.8 A
NOM. CAPACITANCE BETWEEN CONDUCTORS OF PAIR @ 1 KHZ:	12.5 PF/FT
NOM. CAPACITANCE CONDUCTOR TO SHIELD @ 1 KHZ (ONE CONDUCTOR TO OTHER CONDUCTORS & SHIELD:	22 PF/FT
NOM. IMPEDANCE OF PAIRS:	100 OHMS
NOM. CONDUCTOR DC RESISTANCE @ 20 DEG. C:	24 OHMS/1000 FT.
NOM. VELOCITY OF PROPAGATION:	78%

III. PHYSICAL CHARACTERISTICS:

TEMPERATURE RATING:	-30 TO +80 DEG. C
INSULATION MATERIAL:	CELLULAR POLYOLEFIN
JACKET MATERIAL (COLOR):	PVC (CHROME)
TYPE SHIELD AND % COVERAGE:	POLYESTER/ALUM TAPE & 65% T.C. BRAID OVERALL
MAX. PULLING TENSION	27.5 LBS
MIN. BEND RADIUS:	2.75"
NOM. WEIGHT/1000 FT.:	37 LBS
NOM. DIAMETER:	.270"
APPLICABLE SPECIFICIATIONS:	UL CM,AWM2919,CEC C(UL) CM
FLAME RESISTANCE:	UL 1581

IV. COLOR CODE:

PAIR NO.	COLOR COMBINATION
1	WHITE-BLUE STRIPE BLUE-WHITE STRIPE
2	WHITE-ORANGE STRIPE ORANGE-WHITE STRIPE

\*\*\*\*\* END OF DATA FOR PRODUCT - 8102 \*\*\*\*\*