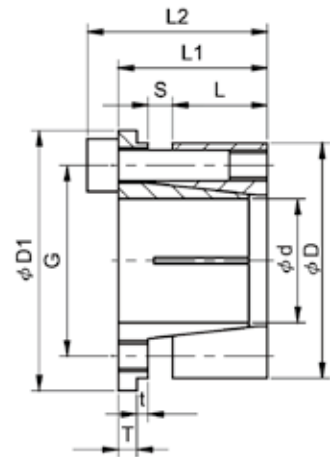
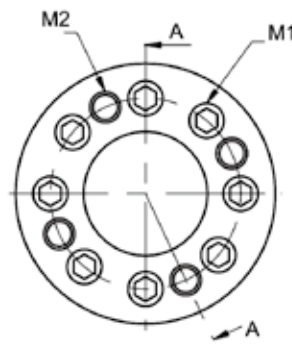


# SMA 自動校心型 / Self-centering



SMA-

內徑 / Inside Diameter

規格 No.	d mm	D mm	D1 mm	G mm	L mm	L1 mm	L2 mm	T mm	t mm	S mm	M1 mm	M2 mm	T Nm	F KN	P N/mm <sup>2</sup>	TS Nm	慣矩 J kg.m <sup>2</sup>	重量 Weight Kg
SMA-20	20	38	42	30.8	15.3	24.1	29.1	3	1.8	4	8-M5×18	4-M5	216	21.6	130	8.8	3.70×10 <sup>-6</sup>	0.144
SMA-22	22	40	44	32.8	15.3	24.1	29.1	3	1.8	4	8-M5×18	4-M5	255	22.6	117	8.8	4.42×10 <sup>-6</sup>	0.165
SMA-24	24	42	46	34.8	16.3	25.1	30.1	3	1.8	4	8-M5×18	4-M5	363	29.9	111	8.8	5.45×10 <sup>-5</sup>	0.180
SMA-25	25	43	47	35.8	17.3	26.1	31.1	3	1.8	4	8-M5×18	4-M5	392	31.4	102	8.8	6.15×10 <sup>-5</sup>	0.188
SMA-28	28	46	50	38.8	17.3	26.6	31.6	3.5	1.8	4	10-M5×18	4-M5	441	31.4	119	8.8	8.15×10 <sup>-5</sup>	0.195
SMA-30	30	48	52	40.8	17.3	26.6	31.6	3.5	1.8	4	10-M5×18	4-M5	500	33.3	114	8.8	9.45×10 <sup>-5</sup>	0.208
SMA-32	32	50	54	42.8	18.3	27.6	32.6	3.5	1.8	4	10-M5×18	4-M5	530	33.3	104	8.8	1.14×10 <sup>-4</sup>	0.219
SMA-35	35	57	62	48.4	19.5	30	36	4	2	4.5	8-M6×20	4-M6	883	47.6	114	15.7	2.12×10 <sup>-4</sup>	0.325
SMA-38	38	60	65	51.4	20	30.5	36.5	4	2	4.5	10-M6×20	4-M6	1020	49.4	132	15.7	2.62×10 <sup>-4</sup>	0.632
SMA-40	40	62	67	53.4	20.5	31	37	4	2	4.5	10-M6×20	4-M6	1079	50.3	124	15.7	3.00×10 <sup>-4</sup>	0.380
SMA-42	42	64	69	55.4	20.5	31	37	4	2	4.5	10-M6×20	4-M6	1157	51.5	120	15.7	3.32×10 <sup>-4</sup>	0.405
SMA-45	45	67	72	58.4	21	31.5	37.5	4	2	4.5	10-M6×20	4-M6	1285	56.9	112	15.7	3.95×10 <sup>-4</sup>	0.435
SMA-48	48	70	75	61.4	21	32	38	4.5	2	4.5	12-M6×20	4-M6	1402	58.4	129	15.7	4.75×10 <sup>-4</sup>	0.460
SMA-50	50	72	77	63.4	21.5	32.5	38.5	4.5	2	4.5	14-M6×20	4-M6	1705	68.2	143	15.7	5.35×10 <sup>-4</sup>	0.485
SMA-55	55	77	83	68.4	21.5	32.5	38.5	4.5	2	4.5	14-M6×20	4-M6	1883	68.5	133	15.7	6.80×10 <sup>-4</sup>	0.520
SMA-60	60	82	87	73.4	22	33.5	39.5	5	2	4.5	15-M6×20	5-M6	2108	68.7	131	15.7	8.61×10 <sup>-4</sup>	0.560
SMA-65	65	87	92	78.4	22	33.5	39.5	5	2	4.5	15-M6×20	5-M6	2236	68.7	124	15.7	1.05×10 <sup>-3</sup>	0.610
SMA-70	70	97	103	86.2	24	36.1	44.1	5	2	5.1	14-M8×25	4-M8	3285	93.2	169	37.3	1.86×10 <sup>-3</sup>	0.845
SMA-75	75	102	108	91.2	24	36.1	44.1	5	2	5.1	15-M8×25	5-M8	3746	99.1	172	37.3	2.22×10 <sup>-3</sup>	0.932
SMA-80	80	107	113	96.2	25	37.1	45.1	5	2	5.1	15-M8×25	5-M8	4129	103	158	37.3	2.67×10 <sup>-3</sup>	1.100
SMA-85	85	112	118	101.2	25	37.1	45.1	5	2	5.1	15-M8×25	5-M8	4521	106	151	37.3	3.10×10 <sup>-3</sup>	1.270